

GRAPHTEC

Auto Sheet Feeder A3 PLUS

ASF1-30 for CE8000-40

Automation, Labor saving, High efficiency!
Best partner to support your cuttings!



Standard function

Wireless



Supported Media size up to

A3 Plus



Media Stacking up to

150 Sheets



Product details



Best choice for stickers & labels small productions!



Labels



Stickers



Custom-made Merchandises



Product Labels

Design ⇒ Print ⇒ Set the media...That's it !



How to create data



Create design data



Print out with Laser Printers



Load media in ASF1-30

Automatic feeding!

Easy operation & High quality!



Continuous Cutting Barcode

Data Link Barcode System enables cutting different data sequentially by detecting its linked data from Data Link Server or USB flash memory.

Prevents cutting incorrect data and saves labor, increases production efficiency.

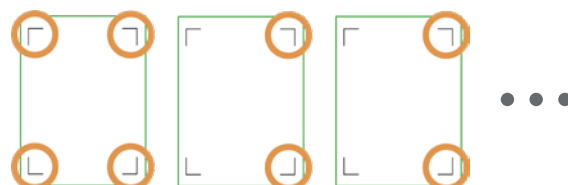
G0000A000-B



2 Registration Marks Alignment

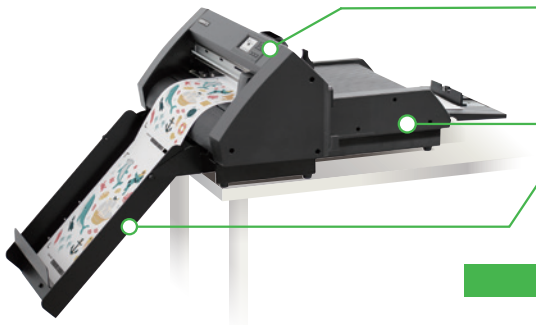
When cutting the same designs multiple times, CE8000-40 reads 4 Registration Marks for the first sheet and only the first 2 for the second sheet and later.

Reduce operating time while maintaining the high accuracy of feeding and cutting.



Components of the system

* Sold separately



Cutter unit
(CE8000-40)

When ASF1-30 is connected, its dedicated functions will be displayed on CE8000-40 touch panel.

Auto Sheet Feeder unit
(ASF1-30)

Feeder unit

Feeds sheet media to CE8000-40

Paper output tray

Media will be ejected to the tray after being cut

Graphtec Studio 2



Graphtec Studio 2
(Windows / Mac)

Create, design, edit objects & texts and send data to cutting plotter.

- Registration marks setting
- Basic design of objects & texts
- Objects layout
- Cutting conditions setting etc.

CMS
Cutting Master 5



Cutting Master 5
(Windows / Mac)

RIP software to send cutting data from Adobe Illustrator/CorelDRAW to cutting plotter.

- Registration marks setting
- Objects layout
- Cutting conditions setting etc.

Software included as standard

ASF1-30 Specifications

Name	Description
Dimensions <W × D × H> [Approx.]	45 degrees angle: 677mm×1230mm×326mm *Table Height 470mm or more *Desktop: 677mm×1360mm×326mm
Weight [Approx.]	24.8kg [Cutter unit 11kg, Auto Feeder unit 7.2kg, Paper output tray 6.6kg]
Compatible media size	Letter (215.9mm × 279.4mm), A4, A3, A3 Plus (330mm × 483mm) *(Vertical setting only)
Maximum number of media that can be loaded	100 Sheets [Thick paper] - 150 Sheets [Thin paper]
Compatible media	Tack paper (for laser printer) Thickness : 0.15 to 0.23 mm [157 to 181 g/m ²] Basis weight is for reference only. Static electricity generating media and copy paper, etc. are not available.
Operating environment	15°C to 35°C, 70 % R.H. (non-condensing)
Curl Tolerance	5mm or less

* Please take enough space in front and back of the unit for smooth operation.

* The installation size (area) when installing on a desktop should be larger than the product size.

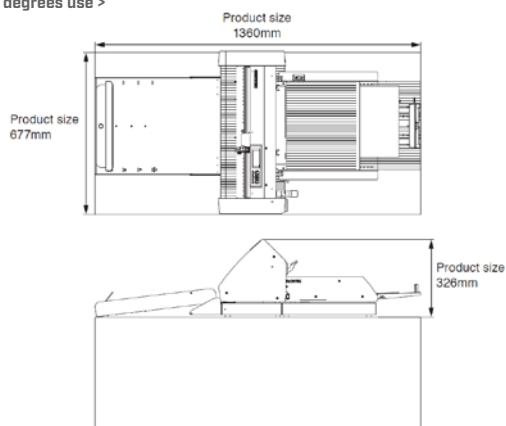
* There is no specific recommended value for the height of table when installing on a desktop.

Supply Items

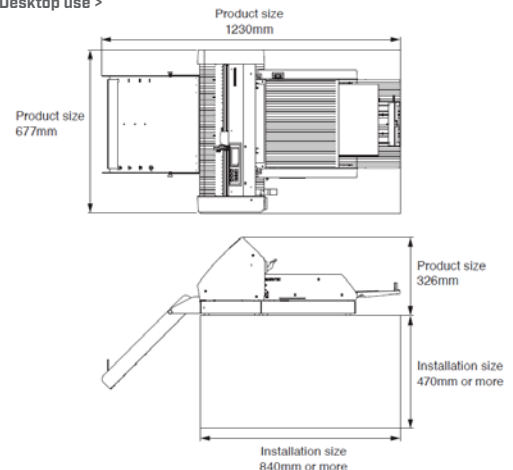
Item	Part No.	Description
Cutting blade holder	PHP33-CB09N-HS	Cutter plunger for φ0.9mm x 1
	PHP33-CB15N-HS	Cutter plunger for φ1.5mm x 1
Cutting blade	CB09UB-5	φ0.9mm, 45°, Supersteel (for PVC film)
	CB15U-5	φ1.5mm, 45°, Supersteel (for paper, cardboard)
Loupe	PM-CT-001	Blade loupe (for PHP33/PHP35 series)
Cutting Mat	PM-CR-013	for CE8000-40 x 2
USB cable	PM-ET-001	Cable length: 2.9m x 1

Installation space & External Dimensions

< 45 degrees use >



< Desktop use >



• Brand names and product names listed in this brochure are the trademarks or registered trademarks of their respective owners.
• Items mentioned are subject to change without notice. For more information about product, please check the web site or contact your local representative.

⚠ Important safety instructions

- Before using it, please read the user manual and then please use it properly in accordance with the description.
- To avoid malfunction or electric shock, please ensure ground connection and use it in specified power source.

GRAPHTEC
Graphtec Corporation

503-10 Shinano-cho, Totsuka-ku, Yokohama 244-8503, Japan
Tel : +81-45-825-6250 Fax : +81-45-825-6396

Website <https://www.graphteccorp.com>

eco RoHS compliant product



ASF1-30_JE11018_10